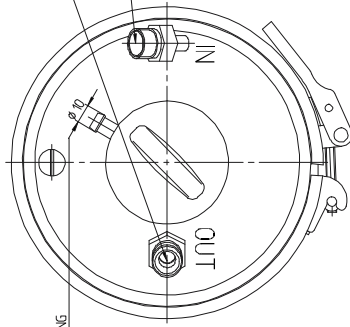


OIL SUPPLY LINE  
LENGTHS MUST BE DEFINED BY  
THE AIRFRAME MANUFACTURER!

OIL RETURN LINE  
LENGTHS MUST BE DEFINED BY  
THE AIRFRAME MANUFACTURER!



OIL TANK VENTING